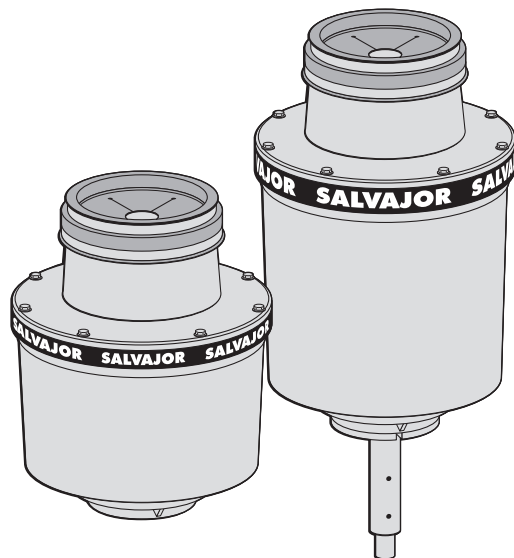


# Salvajor Commercial Disposers

For All Models: 75, 100, 150, 200, 300, 500, 750



<b>2</b>	<b>Typical Installations</b>
<b>3</b>	<b>Installation of Cone Bowl or Sink Collar</b>
<b>4</b>	<b>Attaching Disposer to Cone Bowl or Sink Collar</b>
<b>5</b>	<b>Plumbing</b>
<b>6</b>	<b>Electrical</b>
<b>7</b>	<b>Operating Instructions</b>
<b>8</b>	<b>Warning and Safety Instructions</b>

*ALL INSTALLATIONS SHOULD BE MADE IN ACCORDANCE WITH LOCAL AND NATIONAL PLUMBING AND ELECTRICAL CODES.*

## FOR PRODUCT/WARRANTY REGISTRATION

- Go to [www.salvajor.com](http://www.salvajor.com)
- Click on SUPPORT at the top of homepage
- Click on PRODUCT REGISTRATION



**The Salvajor Company** 4530 East 75th Terrace Kansas City, Missouri 64132-2081, USA

1-888-SALVAJOR

FAX: 1-800-832-9373

[www.salvajor.com](http://www.salvajor.com)

Email: [sales@salvajor.com](mailto:sales@salvajor.com)

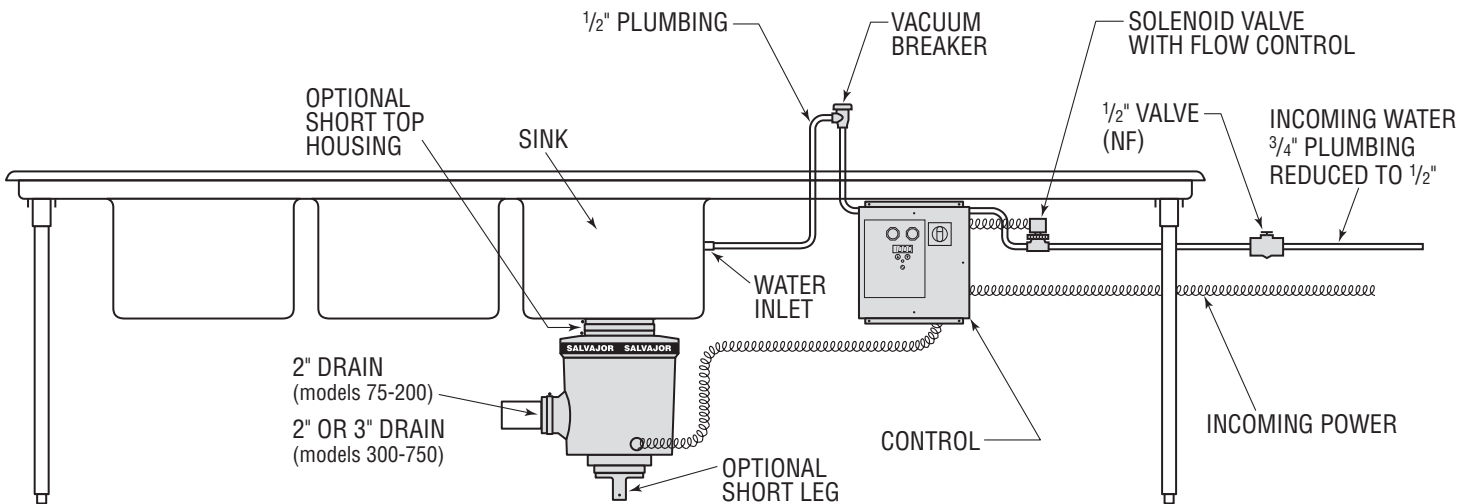
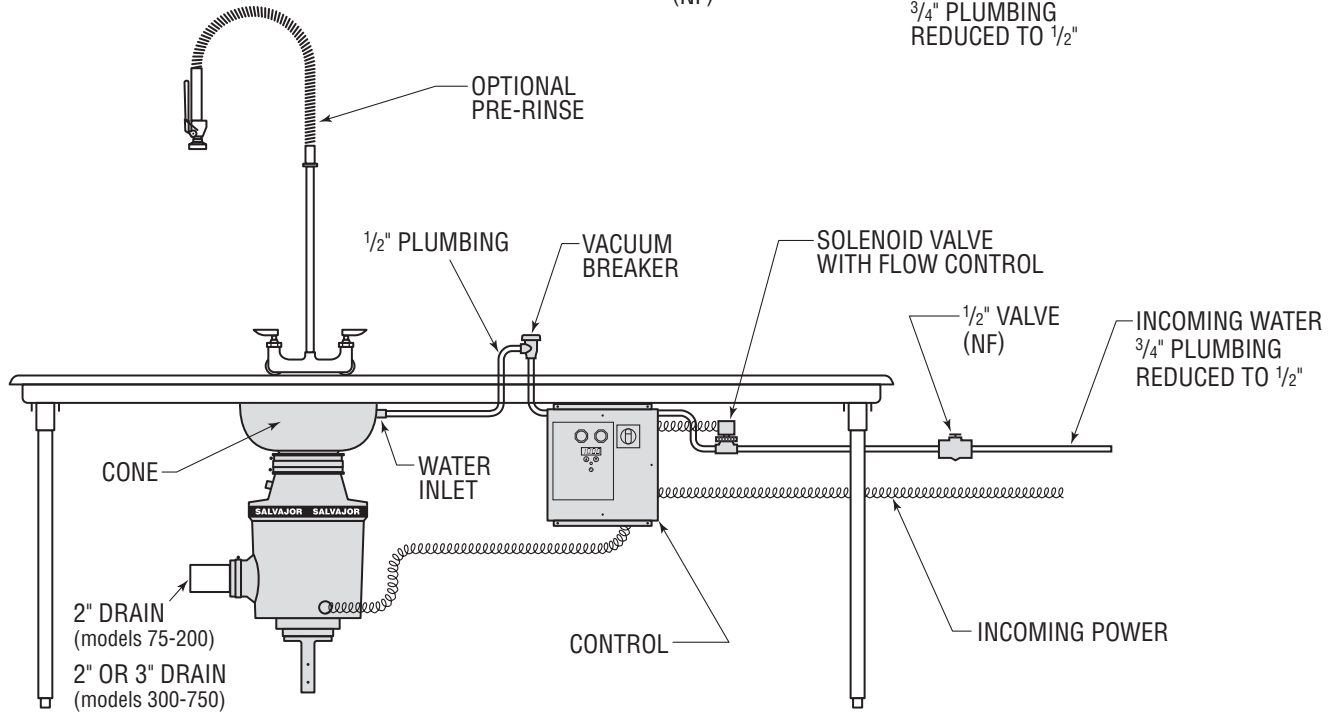
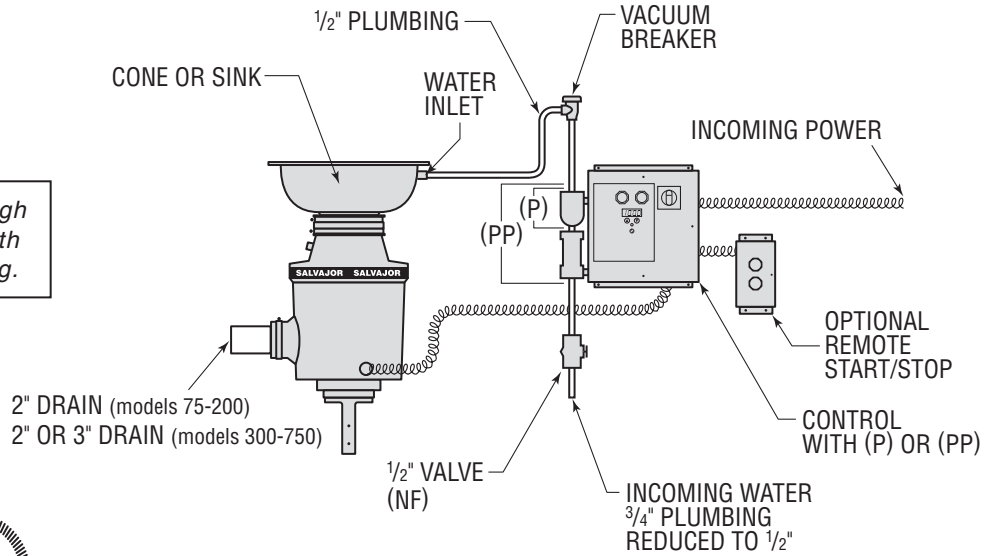
[service@salvajor.com](mailto:service@salvajor.com)

Manufacturers of Commercial Food Waste Disposing Systems since 1944

Installation & Operating  
INSTRUCTIONS

# Typical Installations

Models 300 through 750 furnished with single support leg.



# Installation of CONE BOWL or SINK COLLAR

## CONE ASSEMBLY

1. Cut a hole in the counter top of the appropriate table cutout dimensions listed below.

Application	Cutout Size
12" Cone Bowl	12 <sup>7</sup> / <sub>8</sub> " Diameter
15" Cone Bowl	15 <sup>7</sup> / <sub>8</sub> " Diameter
18" Cone Bowl	18 <sup>7</sup> / <sub>8</sub> " Diameter

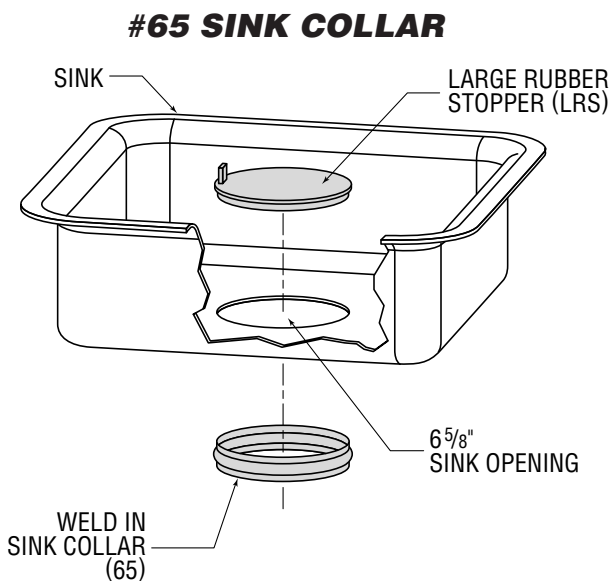
2. Place the large open end of the cone bowl against the counter top and weld the flange. Weld all the way around and then buff smooth for a watertight, sanitary installation.

## SINK COLLARS:

### 6 1/2" Sink Collar #65

1. If necessary, cut a 6 5/8" DIAMETER hole in the center of the bottom of the sink.

2. Place the adaptor against the underside of the sink and weld all the way around. Buff smooth for a watertight, sanitary installation.



### 3 1/2" Sink Collar #70

1. Apply caulking compound around the sink hole (TOP SIDE).

2. Insert the stainless steel adaptor in the sink hole.

3. Place the gasket over the stainless steel adaptor (UNDER SINK).

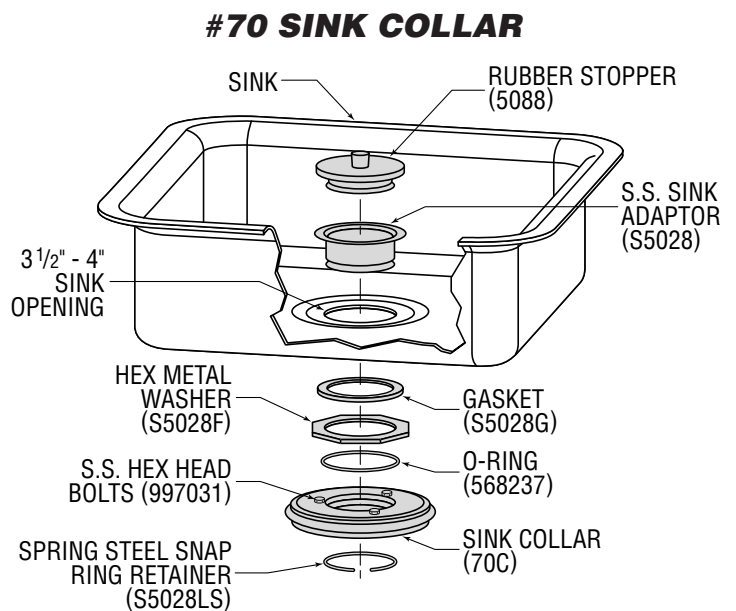
4. Place the hex metal washer over the stainless steel adaptor, up against the gasket.

5. Place the sink collar with O-ring inserted over the stainless steel adaptor, up against the hex metal washer.

6. Slip the spring steel snap ring over the bottom of the stainless steel adaptor and slide up until it snaps into the groove in the stainless steel adaptor.

7. Screw the hex head bolts out of the sink collar and up against the hex metal washer tight enough to firmly set the assembly.

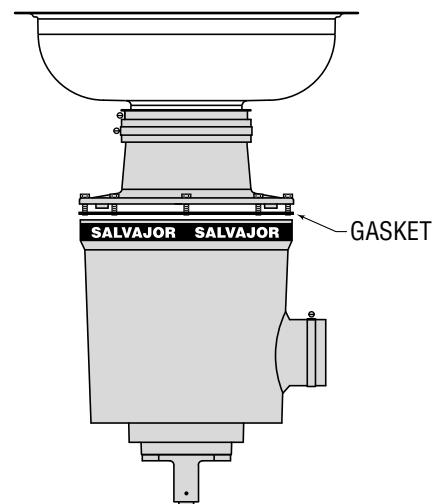
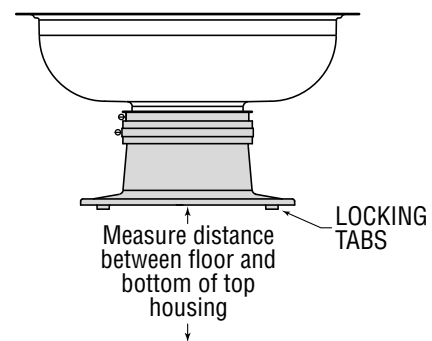
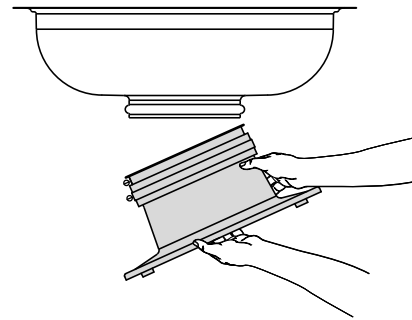
8. The disposer rubber adaptor fits over the sink collar and bands to the sink collar.



## Attaching Disposer to CONE BOWL or SINK COLLAR

1. Carefully remove the top housing assembly by removing the eight bolts making sure not to damage the center gasket.
2. Apply lubricant to the rubber collar on top housing and the beaded collar on cone or sink.
3. Slip the top housing assembly up onto the beaded collar and tighten the clamp so the top housing assembly can not be pulled down over the bead. If attaching disposer to Salvajor ScrapMaster or TroughVeyor, use short top housing and cut out rubber baffles on hycar adaptor to reduce bridging of food waste.
4. Measure distance from the bottom of the top housing to floor.
5. Turn the disposer on its side and install the leg support (optional on Models 75-200, standard on Models 300-750) on the bottom of the disposer and adjust the leg extension so the disposer will stand approximately 1/2" below the bottom of the top housing.
6. Carefully balancing the disposer on the leg support, walk it under the top housing, aligning the ears on the shredder ring with the locking tabs of the top housing.
7. Slide the center gasket into place. Insert the top housing bolts through holes in the top housing and into the disposer body housing. As you the tighten bolts, the disposer will pull up securely to the top housing.
8. Extend the leg extension securely on the floor, and tighten set screws.

**NOTE:** It is important that the leg fit tightly between the disposer and the floor.



# Plumbing

## DRAIN PIPING

1. Before installing the Salvajor disposer, the waste line should be properly cleaned out to the connecting main sewer.
2. Use as few elbows, tees and bends as possible when making connections.
3. All horizontal drain lines should have a minimum fall of 1/4" per foot.
4. A 3" diameter pipe is recommended for Salvajor disposers models 300 thru 750. A 2" adapter is supplied for existing 2" drains. Models 75 thru 200 require a 2" drain.

### **IMPORTANT!**

*It is imperative to have a proper downward pitch from the disposer outlet to the main sewer line to assure proper gravity flow. Improper drain line installation can result in drain backups.*

5. Do not connect into a grease trap, interceptor or drum trap.

**NOTE:** Pressure regulators should be installed in areas where pressure exceeds the recommended maximum of 80 psi.

## WATER SUPPLY

6. Connect COLD WATER ONLY to disposer.

### **Recommended Cold Water Supply**

Models 75, 100, 150, 200	5GPM
Models 300, 500, 750	8GPM

Water volume can be controlled by a properly rated flow control valve or hand operated valve.

*(Nos. 7-9 below for **NEW INSTALLATIONS ONLY!**)*

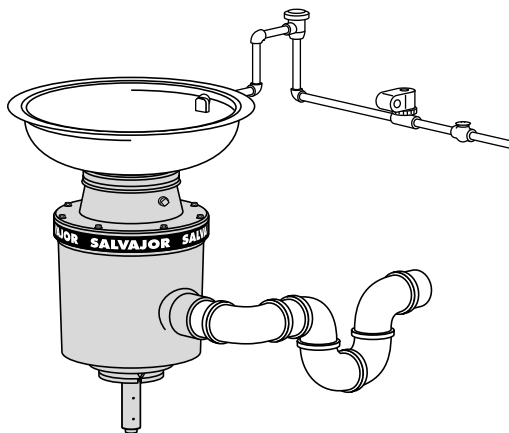
7. Plumb 3/4" IPS line and reduce to 1/2" at the hand valve. Install the factory-supplied solenoid valve with built-in flow control.

8. From the solenoid, plumb 1/2" IPS line above the flood plane of the table and install the factory supplied vacuum breaker to local code.

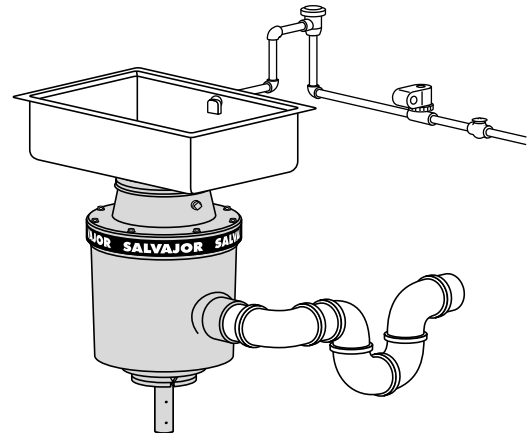
9. Plumb 1/2" IPS line from the vacuum breaker to either cone bowl, sink or top housing inlet on the disposer. If connecting to cone or sink, use 1/2" water inlet supplied by the factory.

**NOTE:** CONNECT COLD WATER ONLY TO DISPOSER. Tempered water from pre-rinse or Salvajor scrapping system is acceptable, but only in conjunction with an independent, continuous cold water supply.

## **TYPICAL CONE LAYOUT**



## **TYPICAL SINK LAYOUT**



**MAKE ALL PLUMBING CONNECTIONS IN ACCORDANCE WITH LOCAL AND NATIONAL PLUMBING CODES.**

# Electrical

## GENERAL INSTRUCTIONS

Dual voltage disposers are shipped from the factory NOT connected for a specific voltage. Please refer to the wiring diagrams on the disposer junction box cover. When connecting single phase disposers to a reversing control, refer to the diagram supplied with the control. Salvajor disposer cutting elements are designed to operate in either direction.

Use water tight conduit and fittings to make connections.

Caution: Be careful not to pinch wires when replacing junction box cover.

For new installations, an approved control will need to be mounted in the dish table with an optional bracket. Power will have to be run to a solenoid for incoming water.

**NOTE:** The RESET button is located on the bottom of the disposer.

## TEST PROCEDURE

1. Check to be sure the disposer cutting teeth are free of foreign objects.
2. Turn the disposer on and determine that the cutting elements rotate freely and that water flows automatically.
3. Check the mounting assembly and plumbing connections for leaks.
4. If disposer fails to operate:
  - A. Turn off power.
  - B. Check wiring connections.
  - C. Determine if the RESET button has tripped. Reset by hand only.

**DANGER:** If disposer stops, DO NOT look for the cause until the starting control is turned OFF and the power is turned OFF. Consult Operating Instructions.

## Full Load Amps

### Model 75 (¼ HP)

115 Volts	1 Phase	17.8 Amps
208 Volts	1 Phase	9.9 Amps
230 Volts	1 Phase	9.0 Amps
208 Volts	3 Phase	4.2 Amps
230 Volts	3 Phase	4.0 Amps
460 Volts	3 Phase	2.1 Amps

### Model 100 (1 HP)

115 Volts	1 Phase	18.6 Amps
208 Volts	1 Phase	10.2 Amps
230 Volts	1 Phase	9.3 Amps
208 Volts	3 Phase	4.9 Amps
230 Volts	3 Phase	4.5 Amps
460 Volts	3 Phase	2.3 Amps

### Model 150 (1½ HP)

115 Volts	1 Phase	22.9 Amps
208 Volts	1 Phase	11.8 Amps
230 Volts	1 Phase	11.6 Amps
208 Volts	3 Phase	6.2 Amps
230 Volts	3 Phase	5.6 Amps
460 Volts	3 Phase	2.6 Amps

### Model 200 (2 HP)

115 Volts	1 Phase	24.0 Amps
208 Volts	1 Phase	12.1 Amps
230 Volts	1 Phase	12.0 Amps
208 Volts	3 Phase	6.6 Amps
230 Volts	3 Phase	6.0 Amps
460 Volts	3 Phase	3.0 Amps

### Model 300 (3 HP)

208 Volts	3 Phase	8.8 Amps
230 Volts	3 Phase	8.0 Amps
460 Volts	3 Phase	4.0 Amps

### Model 500 (5 HP)

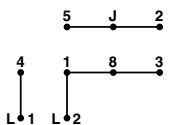
208 Volts	3 Phase	13.8 Amps
230 Volts	3 Phase	12.5 Amps
460 Volts	3 Phase	6.3 Amps

### Model 750 (7½ HP)

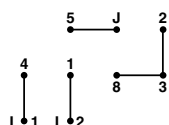
208 Volts	3 Phase	19.8 Amps
230 Volts	3 Phase	18.0 Amps
460 Volts	3 Phase	9.0 Amps

## WIRING DIAGRAMS

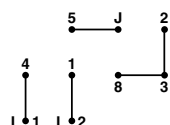
SINGLE PHASE 115 VOLT



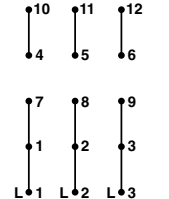
SINGLE PHASE 208 VOLT



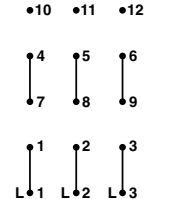
SINGLE PHASE 230 VOLT



3 PHASE 208/230 VOLT



3 PHASE 460 VOLT



USE CONTROL PANEL WIRING DIAGRAM when using Salvajor Controls (Models ARSS, ARSS-LD, ARSS-2 or MRSS) (Single Phase Only)

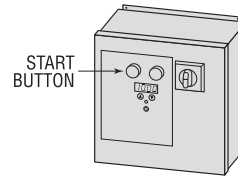
TO REVERSE ROTATION: Interchange #5 & #8 (Single Phase Only)

**MAKE ALL INSTALLATIONS IN ACCORDANCE WITH LOCAL AND NATIONAL ELECTRICAL CODES.**

# Salvajor Commercial Disposer OPERATING INSTRUCTIONS

**1**

Push the START button on the control panel to begin operation. Before you start feeding food waste into the disposer, make sure that a steady stream of water is flowing into the unit. Don't start feeding garbage into the disposer until the unit is started and the water is running.



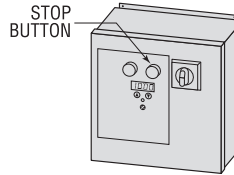
**2**

Feed garbage into the disposer in a steady continuous flow. Don't overload the disposer with excess amounts of garbage and water. The disposer will consume food waste faster when you feed it steadily.

Always keep your hands away from a disposer when it is operating. Don't stop the disposer with garbage in it. Let it run for approximately 3 minutes to clear itself of all ground waste. This will help to maintain a clean and odor-free unit and to avoid drain line clogs.

**3**

Push the STOP button on the control panel to stop operation. To prevent accidents, make sure the disposer is shut off before you leave it unattended.



## TROUBLESHOOTING

**WARNING! Disconnect the power to the disposer before servicing.**

PROBLEM	POSSIBLE CAUSE	SOLUTION
The disposer will not start and water does not flow.	No incoming power.	Check breaker and disconnect. Turn power on.
The disposer will not start but water flows.	The disposer motor overload is tripped.	Turn the disposer control off and press the reset button on the disposer. If the disposer was running, allow the unit to cool for 3-5 minutes before pressing the reset button. Never strike the reset button with an object.
	The disposer is jammed.	Turn the power off to the disposer and complete the following steps: <ol style="list-style-type: none"> <li>1. Insert the dejamming prong through the sink (or cone) opening. Place the prong over the center raised bars found on the top of the disposers revolving rotor.</li> <li>2. Twist the dejamming bar back and forth to free the jam. The revolving rotor should turn freely when the jam is released.</li> <li>3. Remove all foreign material that caused the stoppage.</li> <li>4. Allow the disposer to cool for 3-5 minutes after it stops running. Press the reset button to reset the motor overload protector. Never strike the reset button with an object.</li> <li>5. If the disposer remains inoperative after following these steps, contact the nearest Salvajor Factory Authorized Service Center, or the factory direct. You may obtain the telephone number of the Service Center nearest you by calling 1-888-SALVAJOR.</li> </ol>
The disposer motor stops while grinding, but water continues to flow.	The disposer is jammed.	See: <i>The disposer is jammed, above.</i>
	The disposer motor overload is tripped.	See: <i>The disposer motor overload is tripped, above.</i>
The water flows continuously before the controls are turned on.	Incorrect water solenoid installation.	Reinstall so that the arrow on the solenoid is pointing in the direction of the water flow.
Motor overload trips frequently.	Disposer is overloaded with food waste.	Do not overload the disposer with excessive amounts of food waste.
	Hot water used in lieu of cold.	Reconnect with cold water.

# Warning!

## HOPPERS, SINKS & CONE BOWLS

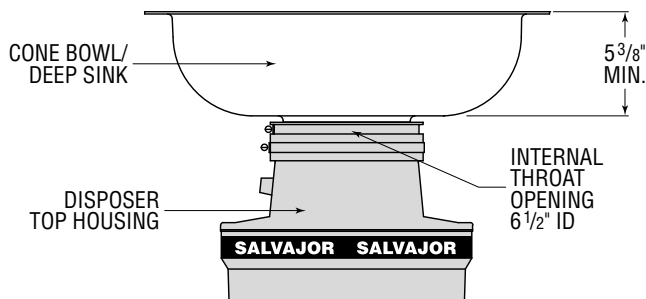
Risk of injury to persons from hazardous moving parts. Serious injury possible if not properly installed with a UL-listed hopper, sink or cone.

All Salvajor cone bowls and chutes are designed and built per UL Standard 430 Section 7 Enclosures, subsection 7.1.2 (Exception 1), 7.1.3, and 7.1.6 using 16 Gauge nominal stainless steel sheet.

All replacement cones/ hoppers, sinks and chutes used with Salvajor disposers should be of equal construction per the above standard.

The following Salvajor cones manufactured as of 11-01-96 comply with UL Standard 430 Section 28.3.1 (Exception 1) and 28.3.2:  
**P/N CB-12, CB-15, CB-18.**

## TYPICAL SALVAJOR DISPOSER TO CONE BOWL / DEEP SINK INSTALLATION



**NOTE:** Above Installation Per UL Standard 430 Height Requirements.

## CONTROLS

Per UL 430, install using a UL-listed electrical control panel.

The following Salvajor electrical control panels manufactured as of 11-01-96 comply with UL Standard 430 Section 28.3.1 (Exception 1) and 28.3.2:  
**model numbers MSS, MSS-LD, MRSS, MRSS-LD, ARSS-2, ARSS, and ARSS-LD.**

# SAFETY INSTRUCTIONS

- 1** Read all the instructions before using the disposer.
- 2** Keep safety baffle over throat of disposer.
- 3** Always keep your hands away from disposer when it is running.
- 4** Push STOP button on control panel and shut off electrical power to the panel before attempting to clear a jam.
- 5** When attempting to clear a jam in a disposer use a Salvajor dejamming tool or a long wooden object to reverse rotation
- 6** To reduce risk or injury by materials that may be expelled from the unit, do not put the following items into a disposer:
  - A.** Clam or oyster shells
  - B.** Drain cleaner or corrosive detergents
  - C.** Glass, china or plastics
  - D.** Metal such as bottle caps, tin or aluminum cans, etc.

**REMEMBER!** Always keep hands away from a disposer when it is running.